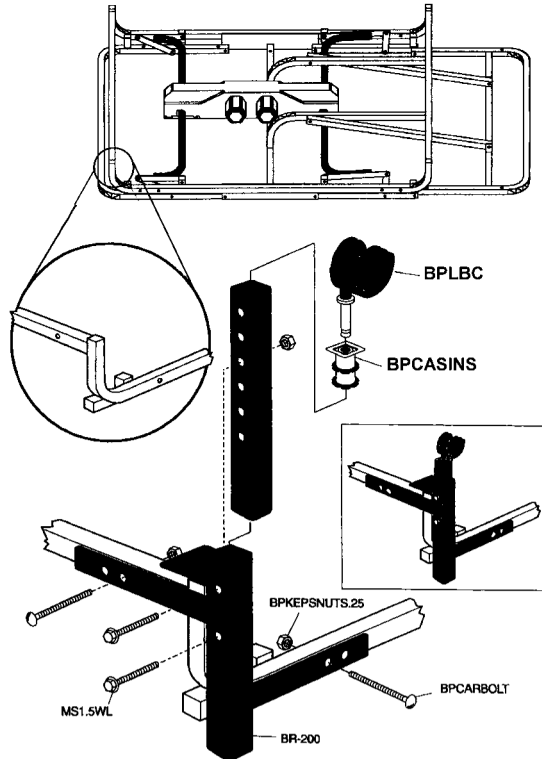


GoldenRest

BED RISER INSTALLATION



HARDWARE IN KIT:

- 8 BPCARBOLT ----- 2 ¼"
- CARRIAGE BOLTS
- 16 BPKEPSNUT 25 ----- ¼" X
- 20 KEPSNUT
- 8 MS1.5WL ----- 1 ½"
- WHIZ LOCK BOLTS
- 4 BPCASTINS4 -----
- CASTER INSERTS
- 1 BP-200 ----- SET
- (4) BED RISERS WITH POSTS

INSTRUCTIONS:

1. Set bed upside down. It is very important that you do one corner at a time.
2. If you are working with a metal framed bed go to step 3. If you are working with a wood trimmed bed, remove the carriage bolts that attach the wood trim to the frame of the bed. (The 8 carriage bolts supplied will not be needed.)
3. Set a riser in a corner of the bed; there are 2 left and 2 rights.
4. Select the proper holes for mounting with the carriage bolts. Wood trim beds use the outside holes while metal frame beds use the inside holes.

HEIGHT ADJUSTMENT:

2", 3" or 4" Lift Needed – Install caster insert (supplied) into the 1" x 1" post where holes start 1 ¼" from edge of post.

5" or 6" Lift Needed – Install caster insert (supplied) into the 1" x 1" post where holes start 3 ½" from edge of post.

5. Slide post into bed riser corner, insert should be visible.
6. Select hole position for proper height requirement.
7. Use two ¼" x 1 ½" whiz lock bolts through the holes & lock in place with ¼" x 20 kepsnut.
8. Repeat with remaining three corners.
9. Insert casters and reposition the bed.